

DRUM PLANTER

Jennifer Newman

Materials:

Polyester powder-coated aluminium.

Features:

Lockable castors.
 Drainage holes included (excluded on Drum-Mini).
 Non-standard colours.

Warranty:

5 years provided that products are cleaned and maintained in accordance with our advice and have not been misused.

Installation:

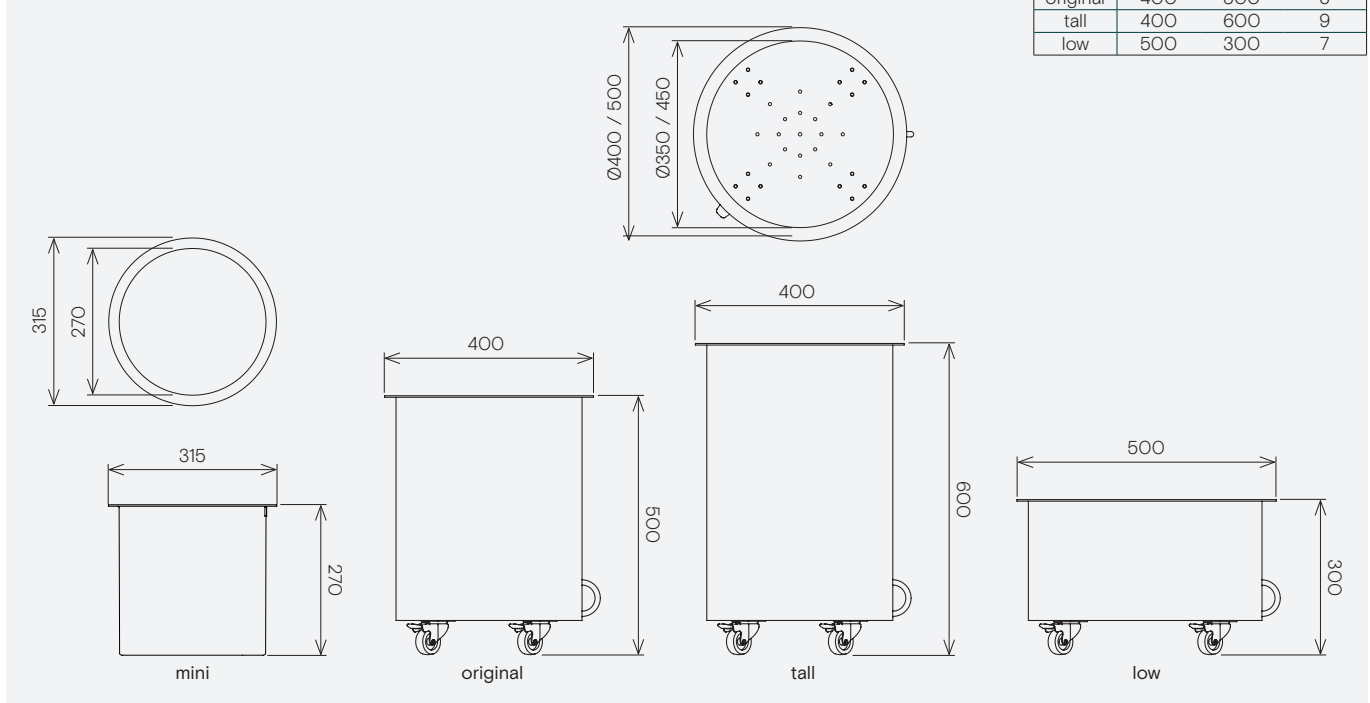
If for inside use with living plants, a liner or container is required.



Dimensions & Weight

All dimensions in mm.

	Dia	H	kg
mini	315	270	5
original	400	500	8
tall	400	600	9
low	500	300	7



Powder-coating standard colours

lacquer sealed



email info@jennifernewman.com

web www.jennifernewman.com